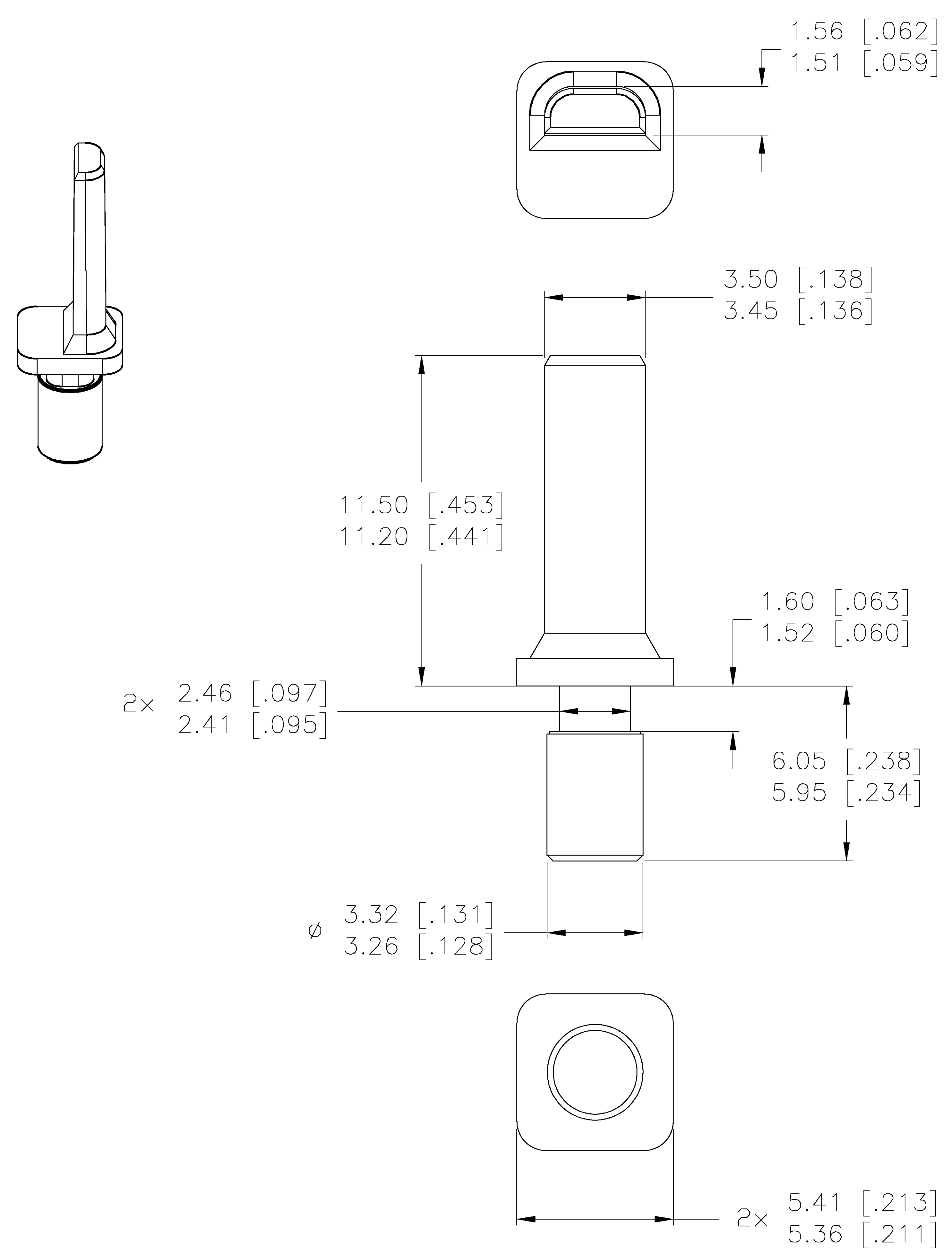


1 PEI THERMOPLASTIC PER ASTM D5205
 2. THIS PRODUCT IS SOLD BY TYCO ELECTRONICS UNDER A LICENSE FROM RADIAL SA.



PRELIMINARY
 NOT RELEASED FOR
 PRODUCTION

Tyco PN 1738428-1

DIMENSIONS: mm [inch]

THIS DRAWING IS A CONTROLLED DOCUMENT:		REV	1	DATE	05/04
DRAWN BY		CHK		Tyco Electronics Corporation	
DIMENSIONS: mm [INCHES]		APP'D		Harrisburg, Pa 17105-3608	
DIMENSIONS SPECIFIED:		PRODUCT SPEC		POLARIZATION KEY, MALE, GPR	
0 P.L.C.	±	APPLICATION SPEC		SIZE	A0
1 P.L.C.	±	WEIGHT		DATE CODE	00779
2 P.L.C.	± 0.05 (.002)	CUSTOMER DRAWING		DRAWING NO	1738428
3 P.L.C.	±			SHEET	1 of 1
4 P.L.C.	±			REV	0
ANGLES	±			SCALE	1:1